



Made for ideas.

RIKIKI TV USER MANUAL



CLICK [HERE](#) TO ACCESS AN **UP-TO-DATE ONLINE VERSION**

of this document. Online User Manuals feature up-to-date content, expandable illustrations, easier navigation, and search capability.



INTRODUCTION

Welcome to the User Manual for the LaCie RikikiTV. Designed for televisions that feature USB recording, the RikikiTV helps you pause, record, and play your favorite programs. Using your television's onscreen menu, you can schedule recordings or start one on the spot. The RikikiTV is also compatible with audio/video devices that include a USB connector, such as digital TV receivers, Internet TV boxes, Blu-ray players, game systems, media players. For a complete list of compatible devices, please see the [RikikiTV Compatibility List](#).



This manual will help you install your LaCie RikikiTV. Consult the [Getting Help](#) page if you have questions regarding installation and operation.

BOX CONTENT

Your box contains the following:

- LaCie RikikiTV
- Universal television mounting kit
- USB 2.0 cable
- Quick Install Guide (printed on the packaging)

Important info: Please save your packaging. In the event that the drive should need to be repaired or serviced, it must be returned in its original packaging.

MINIMUM SYSTEM REQUIREMENTS

Your system must meet certain requirements in order for your LaCie product to function properly. For a list of these requirements, please refer to the product packaging or consult the product support web page at www.lacie.com/support/.

STATUS LIGHT INFORMATION

Refer to the chart below for details on the status light.





Light Behavior	Status
On, Steady	Drive is on
Flickering	Data access
Off	Drive is off

CABLES AND CONNECTORS

USB 2.0

USB is a serial input/output technology for connecting peripheral devices to a computer or to each other. Hi-Speed USB 2.0 is the second-to-latest implementation of this standard, and it provides the necessary bandwidth and data transfer rates to support high speed devices such as hard drives, CD/DVD drives and digital cameras.

Your LaCie product is shipped with a Hi-Speed USB 2.0 cable to ensure maximum data transfer performance when connected to a Hi-Speed USB 2.0 port. The cable will also work when connected to a USB 1.1 port, but performance will be limited to USB 1.1 transfer rates.

Connector Face (to computer)	Cable End (to computer)	Cable End (to product)	Connector Face (to product)
			


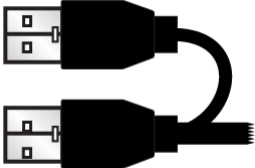



RIKIKI TV ON A COMPUTER

The RikikiTV is designed to work with televisions that support recording to a USB hard drive. You can also use the RikikiTV as a standard hard drive by connecting it to your computer. For instructions on using the disk with your computer, please see the [Rikiki Hard Drive User Manual](#).

See the next section for information concerning mobile hard drives and sufficient power to operate.

USB-Y CABLE

In the event that the USB bus on your computer does not provide the necessary power to operate your mobile LaCie hard disk, you can connect a USB-Y cable to the drive and to your computer's USB 2.0 ports to ensure adequate power. If a USB-Y cable is not included in the packaging, you can purchase one from www.lacie.com/accessories/.

Connector Face (to Computer)	Cable End (to Computer)	Cable End (to Hard Drive)	Connector Face (to Hard Drive)
	<p>Power</p>  <p>Data</p> 		

1. Attach the single connector end of the USB-Y cable to the back of your LaCie drive.
2. Attach the double connector end of the USB-Y cable to two USB ports on your computer.



GETTING CONNECTED

Please follow the setup steps in the order they are given to ensure that your LaCie RikikiTV is properly connected to your TV.

Important info concerning the included screws: Please use caution when tightening the screws included with the universal mounting kit. Turning the screws too tight may have a negative effect upon your television. Please note that LaCie is not liable and does not accept any responsibility for any damage to your television.

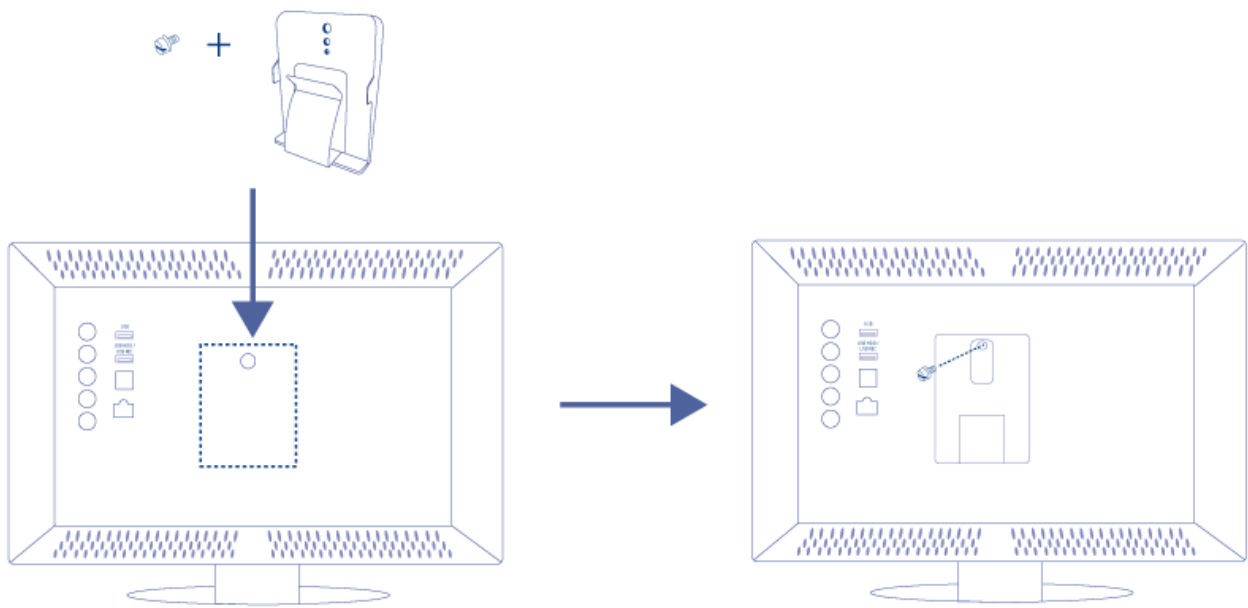
Connecting the RikikiTV to a computer: The RikikiTV is designed to work with televisions that support recording to a USB hard drive. You can also use the RikikiTV as a standard hard drive by connecting it to your computer. For detailed instructions on installation and operation with a computer, please see the [Rikiki Hard Drive User Manual](#).

STEP 1 - UNIVERSAL MOUNTING KIT (OPTIONAL)

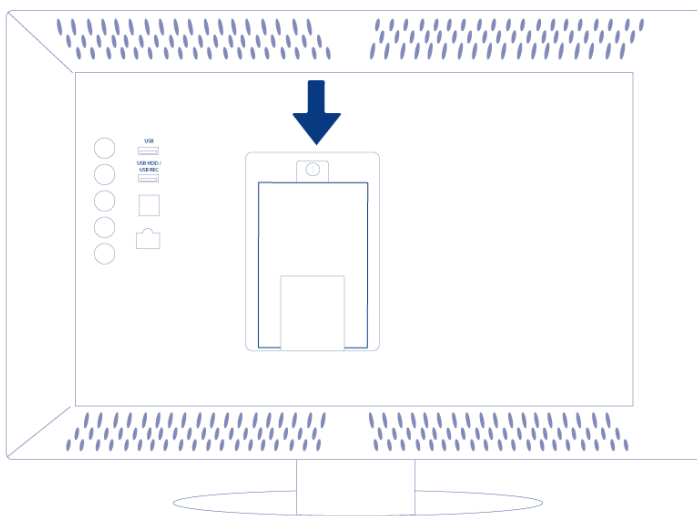
Before configuring the mounting kit, please keep the following in mind:

- Skip this step if your television has a built-in shelf or platform for an external USB device.
- Televisions that are fixed to the wall may have difficulty using the universal mounting kit. In such cases, the socket for the universal mounting kit may be taken by the wall-mounting bracket or the universal mounting kit could force the television to bulge along a flat plane. Confirm that you will not experience problems of this nature before attempting to install the universal mounting kit.
- The included screws meet VESA specifications (<http://www.vesa.org/>), which means that the universal mounting kit can be installed on all televisions that adhere to the same industry standards. LaCie highly recommends that you only use one of the following: a VESA screw provided by the television manufacturer; a screw provided with the RikikiTV; or a third-party screw that meets VESA specifications.
- Some television models may come furnished with the proper VESA screw in the socket. If your television already has a VESA screw, LaCie recommends that you use it rather than one of the screws in the RikikiTV universal mounting kit. Please check your television's user manual for directions on how to remove the VESA screw.
- Since televisions differ in size and dimension, LaCie has provided multiple screws of different lengths. LaCie recommends consulting the user manual for your television to locate the socket for the universal mounting kit screw as well as the desired length. **DO NOT USE A SCREW WITH AN IMPROPER LENGTH FOR YOUR TELEVISION.** Screws that are too long could damage the internal parts of your television while screws that are too small cannot hold the weight of the mounting kit clip.
- Do not fasten the VESA screw too tight. Doing so could damage the backplane of your television.

Install the included universal mounting kit to affix the RikikiTV to the back of the television.

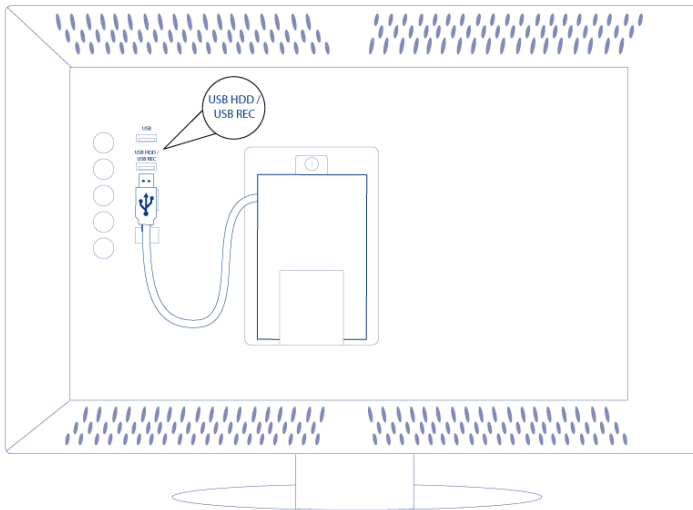


Once the mounting kit is properly installed, slide the RikikiTV into the clip.



STEP 2 - CONNECT THE RIKIKI TV TO THE TELEVISION

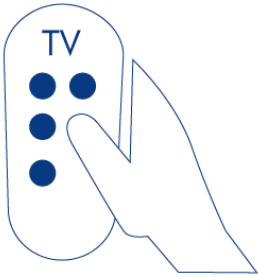
Plug the included USB cable to the USB ports on the RikikiTV and your television. Since many televisions include multiple USB ports, please make certain that you connect the RikikiTV to the port for recordable USB hard drives. In many instances, the port has identifying text that reads *USB HDD/USB REC* or something similar. Please check your television's user manual to make certain that you have plugged the RikikiTV into the appropriate USB port.



Cable management: If necessary, you can wind the cable around the clip.

STEP 3 - TELEVISION MENU

Your television will manage all program recording to the RikikiTV via its remote control. Please refer to your television's user manual for details on how to prepare your RikikiTV for recording and playback. Additional information for certain television models is available at [RikikiTV Setup](#)



Questions?: If you require additional assistance, please see [Getting Help](#).

RIKIKI TV INSTALLATION WITH AUDIO/VIDEO DEVICES

The RikikiTV is also compatible with audio/video devices that include a USB port, such as digital TV receivers, Internet TV boxes, Blu-ray players, game systems, and media players. For a complete list of devices compatible with the RikikiTV, visit [RikikiTV Compatibility List](#).

Please refer to your audio/video device's user manual for instructions on installing USB hard drives such as the RikikiTV.

UNMOUNTING THE DRIVE

Your television or audio/video device may require that you unmount the RikikiTV before unplugging it from the USB port. Please verify the unmounting procedure with the user manual for your television or audio/video device.

GETTING HELP

If you are having problems with your LaCie product, consult the table below for a list of available resources.

Order	Source	Description	Location
1	Quick Install Guide	Concise steps to follow for getting your product up and running	Either a printed leaflet or accessory box and included in the product box, or download PDF from the product page
2	Support Pages	Includes interactive troubleshooting topics for most common problems	www.lacie.com/support/ , select your product, then click the "Troubleshooting" tab
3	User Manual	Includes common troubleshooting topics	See Troubleshooting Topics below
4	Customer Support	Create an account on lacie.com , register your product, and fill out a support ticket	Create an account here: www.lacie.com/us/mystuff/login.htm?logout&rtm=mystuff

Note: LaCie is dedicated to providing high quality products that enrich the lives of our customers. To help LaCie offer the best customer support, we encourage you to create an account and register your product at www.lacie.com/us/mystuff/login.htm?logout&rtm=mystuff. You can give us important feedback as well as receive updated information on your LaCie device.

TROUBLESHOOTING TOPICS

Note on device compatibility: For questions concerning compatibility between your television or audio/video device and the RikikiTV, please visit our [RikikiTV Compatibility List](#).

Note: Interactive troubleshooting, a highly effective way to resolve problems with your product, is available from www.lacie.com/support/. Select your product, then click the “Troubleshooting” tab.

Initial Installation

Problem: I am unsure if my television will work with the RikikiTV and the universal mounting kit.

Q: How do I know if the Rikiki TV is compatible with my television?

A: Please refer to our [RikikiTV Compatibility List](#) to determine if your entertainment equipment will work with a USB hard drive. If you do not find your device on our list, please check your television or audio/video device's user manual for compatibility with USB hard drives.

Q: My television already has a VESA screw in the available socket. Should I still use the screw included with the RikikiTV universal mounting kit?

A: Some television models may come furnished with the proper VESA screw in the socket. If your television already has a VESA screw, LaCie recommends that you use it rather than one of the screws in the RikikiTV universal mounting kit. Please check your television's user manual for directions on how to remove and reinsert the VESA screw for the installation of the RikikiTV.

Q: I cannot find an available socket to attach the universal mounting clip to the back of my television. How do I mount the RikikiTV?

A: Almost all modern televisions have sockets that meet the VESA standard for mounting on the wall and/or universal mounting kits such as the one provided with your RikikiTV. Some models may come furnished with the proper VESA screw in the socket. If your television already has a VESA screw, LaCie recommends that you use it rather than one of the screws in the RikikiTV universal mounting kit. Please check your television's user manual for directions on how to remove and reinsert the VESA screw for the installation of the RikikiTV.

Q: My television is fixed to the wall. How can I attach the RikikiTV to the back of my television?

A: The wall mounting bracket uses one or more VESA sockets to hold the weight of your television. Therefore, before unmounting your television from the wall to begin the RikikiTV installation, LaCie highly recommends that you refer to the television's user manual for details on available VESA sockets on the backplane. You must have one available VESA socket to install the universal mounting kit.

Another concern for mounted televisions is adequate space between the back of the television and the wall. Please confirm that you have enough room to accommodate the RikikiTV's universal mounting kit. If the clearing is too narrow, installing the clip could force the television to bulge from the flat plane.

Problem: Compatibility with audio/video devices.

Q: I have a USB port on my Blu-ray player/cable box/gaming system/media player. Can I connect the RikikiTV to my device?

A: Please refer to our [RikikiTV Compatibility List](#) to determine if your entertainment equipment will work with a USB hard drive. If you do not find your device on our list, please check your television or audio/video device's user manual for compatibility with USB hard drives.

Problem: I cannot record to my RikikiTV.

Q: Is the RikikiTV properly connected to your television or audio/video device?

A: If you have not connected the RikikiTV to your television or audio/video device, please follow the easy directions at [Getting Connected](#).

Once you have established USB connectivity, make certain that your television or audio/video device can recognize the RikikiTV. You should see the option to record within the onscreen menu of your television or audio/video device. Please consult the entertainment device's user manual for further details on how to record.

Q: Are both ends of the USB cable firmly attached to the RikikiTV and your television or audio/video device?

A: If your television or audio/video device continues to have difficulty detecting the RikikiTV, check both ends of the USB cable. When confirming the USB connection, make sure that each end is fully seated in their respective ports.

You may also try disconnecting each end of the cable, waiting 10 seconds, and then reconnecting them.

Q: Did you plug the USB cable into the appropriate USB port on your television or audio/video device?

A: Compatible televisions and audio/video devices normally have a single USB port for recordable USB hard drives such as the RikikiTV. In many instances, the port has identifying text that reads *USB HDD/USB REC* or something similar. Please check your television or audio/video device's user manual to make certain that you have plugged the RikikiTV into the appropriate USB port.

Q: Have you defined the RikikiTV as the recordable USB hard drive on your television or audio/video device?

A: It is very likely that you have to set certain parameters within your television or audio/video device's onscreen menu to configure recording to the RikikiTV. Please check your television or audio/video device's user manual for instructions on how to navigate the onscreen menu. For additional assistance, visit [RikikiTV Setup](#).

RikikiTV: Television and Computer

Problem: RikikiTV is working properly on my television but not on my computer.

Q: Have you reviewed the troubleshooting section of the Rikiki Hard Drive User Manual?

A: Please refer to the [Rikiki Hard Drive Getting Help](#) section for questions regarding your RikikiTV's connection to a computer. You can also check [LaCie Technical Support](#) for additional tips on installation and operation.

Q: Did your television format or configure the RikikiTV during setup?

A: Most televisions customize or format connected USB hard drives in order to record to them. Televisions often use a unique file system that are not recognized by all computer operating systems. Please check your television's user manual for more information on the file system it uses and compatibility with computers.

Q: Did you create two partitions on the RikikiTV?

A: In most instances, televisions can support hard drives with multiple partitions. For example, you can configure the RikikiTV to have two partitions, the first for use with your television and the second to store files from your computer.

Please note that a growing number of televisions support playback of many popular multimedia file formats. You may be able to store videos and photos from your computer on the second partition for playback on the television. Please check your television's user manual for compatibility with multiple disk partitions and multimedia playback.

By default, the RikikiTV is formatted in FAT32 since it is compatible with most computer operating systems and entertainment devices. For instructions on formatting the RikikiTV on your computer, see the [Optional Formatting and Partitioning](#) section of the Rikiki Hard Drive User Manual.

PRECAUTIONS

Important info concerning liability: The LaCie RikikiTV has been designed for easy integration with your television. However, if you do not feel comfortable performing this installation, please consider hiring a professional. In all cases, LaCie is not liable and does not accept any responsibility for any damage to your television or personal injury to anyone before, during, or after the installation of the included universal mounting kit.

Caution: Modifications not authorized by the manufacturer may void the user's authority to operate this device.

Important info: Any loss, corruption or destruction of data while using a LaCie drive is the sole responsibility of the user, and under no circumstances will LaCie be held liable for the recovery or restoration of this data. To help prevent the loss of your data, LaCie highly recommends that you keep TWO copies of your data; one copy on your external hard disk, for instance, and a second copy either on your internal hard disk, another external hard disk or some other form of removable storage media. If you would like more information on backup, please refer to our website.

Important info: 1TB (Terabyte) = 1,000GB. 1GB = 1000MB. 1MB = 1,000,000 Bytes. Total accessible capacity varies depending upon operating environment (typically up to 10% less per TB).

HEALTH AND SAFETY PRECAUTIONS

- Only qualified persons are authorized to carry out maintenance on this device.
- Read this User Manual carefully and follow the correct procedure when setting up the device.
- Do not open a disk drive or attempt to disassemble or modify it. Never insert any metallic object into the drive to avoid any risk of electrical shock, fire, short-circuiting or dangerous emissions. The disk drive shipped with your LaCie hard drive contains no user-serviceable parts. If it appears to be malfunctioning, have it inspected by a qualified LaCie Technical Support representative.
- Never expose your device to rain, or use it near water, or in damp or wet conditions. Never place objects containing liquids on the LaCie hard drive, as they may spill into its openings. Doing so increases the risk of electrical shock, short-circuiting, fire or personal injury.

GENERAL USE PRECAUTIONS

- Do not expose the LaCie hard drive to temperatures outside the range of 5° C to 30° C (41° F to 86° F); or to operational humidity beyond 10-80%, non-condensing, or non-operating humidity beyond 5-90%, non-condensing. Doing so may damage the LaCie hard drive or disfigure its casing. Avoid placing your LaCie hard drive near a source of heat or exposing it to sunlight (even through a window). Inversely, placing your LaCie hard drive in an environment that is too cold may damage the unit.
- Rated cooling for altitudes up to 2000 meters.
- Never use excessive force on your LaCie hard drive. If you detect a problem, consult the troubleshooting section in this manual.
- Protect your LaCie hard drive from excessive exposure to dust during use or storage. Dust can build up inside the device, increasing the risk of damage or malfunction.
- Never use benzene, paint thinners, detergent or other chemical products to clean the outside of the LaCie hard drive. Such products will disfigure and discolor the casing. Instead, use a soft, dry cloth to wipe the device.

WARRANTY INFORMATION

LaCie offers first-rate service and support through our generous three-tiered warranty policy. Our 1-, 2-, 3-, and 5-year policies include comprehensive, complimentary web-based resources, expert in-house technical support, and worldwide repair and/or replacement coverage. To benefit from this warranty, please contact LaCie Support at www.lacie.com/us/support where you can find online support and contact information. You may also contact representatives at the original point of purchase who will be able to help guide you.

Standard warranties vary depending on the product. To verify your product's warranty status and to see which standard warranty is included with your product, type in your product's serial number at www.lacie.com/us/support. If no warranty is listed under your product's name, this means that the warranty has expired.

WARRANTY UPGRADES

If you wish to extend your warranty coverage, you can purchase Silver, Gold, or Platinum Care or Advanced Exchange. For details, see www.lacie.com/warranties.

LEGAL INFORMATION

A standard LaCie limited warranty is included with all products. Please read the terms and conditions below.

LaCie Limited Warranty Policy

LaCie ("LaCie") warrants, to the original purchaser, that this equipment shall be free of defects in materials and workmanship for a period of one (1), two (2), three (3), or five (5) years, depending on the model, from LaCie's date of original shipment when the equipment is used normally and is properly serviced when needed. If you discover a defect covered by the warranty set forth above, your sole and exclusive remedy will be for LaCie, in its sole discretion to (i) repair or replace the product at no charge to you; or, if a repaired unit or replacement product is not available, (ii) to refund the current market value of your product. You acknowledge and agree that replacement product, at the sole option of LaCie, may be a new product or a remanufactured product. In order to receive the remedy set forth above, you must return the product during the warranty period and include with each returned product (i) a copy of your original purchase invoice to verify your warranty; (ii) a Return Material Authorization number; (iii) your name, address and telephone number; (iv) a copy of the bill of sale bearing the appropriate LaCie serial numbers as proof of date of original retail purchase; and (v) a description of the problem. The customer must pay all transportation costs for a returned product. The product will need to be returned to LaCie within the country of original retail purchase. This warranty applies only to hardware products; LaCie software, media, and manuals are licensed and warranted pursuant to separate written agreement. This warranty does not apply if the product has been misused or has been damaged by accident, abuse, misuse, or misapplication; if it has been modified without permission of LaCie; or if any LaCie serial number has been removed or defaced. If a customer has purchased a LaCie Advance Care Option (ACO) to go with this equipment, the ACO shall be valid for three (3) years from activation.

EXCEPT FOR THE LIMITED WARRANTY SET FORTH ABOVE, ALL PRODUCTS ARE SOLD "AS IS" AND LACIE EXPRESSLY DISCLAIMS ALL WARRANTIES OF ANY KIND, WHETHER EXPRESS, IMPLIED OR STATUTORY, INCLUDING THE IMPLIED WARRANTIES OF MERCHANTABILITY, NONINFRINGEMENT AND FITNESS FOR A PARTICULAR PURPOSE. WITHOUT FURTHER LIMITING THE GENERALITY OF THE FOREGOING, DOES NOT WARRANT (1) THE PERFORMANCE OR RESULTS OBTAINED FROM USING THIS PRODUCT, (2) THAT THE PRODUCT IS APPROPRIATE FOR THE CUSTOMER'S PURPOSES, (3) THE MANUAL IS ERROR FREE, OR (4) THAT NO DATA WILL BE LOST WHILE USING THE PRODUCT. THE ENTIRE RISK AS TO THE RESULTS AND PERFORMANCE IS ASSUMED BY THE CUSTOMER. THE WARRANTY AND REMEDIES SET FORTH ABOVE ARE EXCLUSIVE AND IN LIEU OF ALL OTHERS, ORAL OR WRITTEN, EXPRESS OR IMPLIED.

EXCLUSIONS AND LIMITATIONS

This Limited Warranty applies only to hardware products manufactured by or for LaCie that can be identified by the "LaCie" trademark, trade name, or logo affixed to them. The Limited Warranty does not apply to any non-LaCie hardware products or any software, even if packaged or sold with LaCie hardware. Manufacturers, suppliers, or publishers, other than LaCie, may provide their own warranties to the end user purchaser, but LaCie, in so far as permitted by law, provides their products "as is". Software distributed by LaCie with or without the LaCie brand name (including, but not limited to system software) is not covered under this Limited Warranty. Refer to the licensing agreement accompanying the software for details of your rights with respect to its use.

LaCie does not warrant that the operation of the product will be uninterrupted or error-free. LaCie is not responsible for damage arising from failure to follow instructions relating to the product's use. This warranty does not apply: (a) to consumable parts, unless damage has occurred due to a defect in materials or workmanship; (b) to cosmetic damage, including but not limited to scratches, dents and broken plastic on ports; (c) to damage caused by use with non-LaCie products; (d) to damage caused by accident, abuse, misuse, flood, fire, earthquake or other external causes; (e) to damage caused by operating the product outside the permitted or intended uses described by LaCie; (f) to damage caused by service (including upgrades and expansions) performed by anyone who is not a representative of LaCie or a LaCie Authorized Service Provider; (g) to a product or part that has been modified to alter functionality or capability without the written permission of LaCie; or (h) if any LaCie serial number on the product has been removed or defaced.

No LaCie dealer, agent, or employee is authorized to make any modification, extension, or addition to this warranty.

Any loss, corruption or destruction of data while using a LaCie drive is the sole responsibility of the user, and under no circumstances will LaCie be held liable for the recovery or restoration of this data. To help prevent the loss of your data, LaCie highly recommends that you keep TWO copies of your data; one copy on your external hard disk, for instance, and a second copy either on your internal hard disk, another external hard disk or some other form of removable storage media. LaCie offers a complete line of CD and DVD drives. If you would like more information on backup, please refer to our website.

LACIE IS NOT RESPONSIBLE FOR SPECIAL, INCIDENTAL, OR CONSEQUENTIAL DAMAGES RESULTING FROM ANY BREACH OF WARRANTY, OR UNDER ANY LEGAL THEORY, INCLUDING LOST PROFITS, DOWNTIME, GOODWILL, DAMAGE TO OR REPLACEMENT OF EQUIPMENT AND PROPERTY, AND ANY COSTS OF RECOVERING, REPROGRAMMING, OR REPRODUCING ANY PROGRAM OR DATA STORED IN OR USED WITH LACIE PRODUCTS EVEN IF IT HAS BEEN ADVISED OF THE POSSIBILITY OF SUCH DAMAGES.

Some states do not allow the exclusion or limitation of implied warranties or liability for incidental or consequential damages, so the above limitation or exclusion may not apply to you. This warranty gives you specific legal rights, and you may have other rights, which vary from state to state.

Your opening of your package, your use of the product, or your return of the enclosed Registration Card acknowledges that you have read and agree to the terms of this Agreement. You further agree that it is the complete and exclusive state of the agreement between us and supersedes any proposal or prior agreement, oral or written, and any other communications between us relating to the subject matter of this Agreement.

Read carefully all information related to warranty and precautions of use of your new LaCie product in the user manual.

For products purchased in the United States, you may contact LaCie at 7555 Tech Center Drive, Tigard, Oregon 97223 USA. Email: sales@lacie.com. Website: www.lacie.com. Customer service: 503-844-4503.

Service DOA

On rare occasions, a newly purchased LaCie product may be delivered in non-working order. We are working to avoid these issues, but unfortunately, these situations may arise from time to time. Within the 15 calendar days of purchase, should you experience an issue with your new LaCie product, we ask you to return the product to the place where it was originally bought. You will be required to give a proof of purchase.

Customer Warning

Please be sure to back up your data before returning your drive to LaCie for repair. LaCie cannot under any circumstances guarantee the integrity of data remaining on a returned drive. We make no provisions for data recovery and cannot be held liable for any data loss on drives or media returned to LaCie.

All products returned to LaCie must be securely packaged in their original box and shipped with postage prepaid, except for Products registered under the Advance Care Option.

NOTE TO AUSTRALIAN CUSTOMERS

Our goods come with guarantees that cannot be excluded under the Australian Consumer Law. You are entitled to a replacement or refund for a major failure and for compensation for any other reasonably foreseeable loss or damage. You are also entitled to have the goods repaired or replaced if the goods fail to be of acceptable quality and the failure does not amount to a major failure.

Contact us:

LaCie Australia, 6/151 Beauchamp Rd, Matraville NSW 2036 AUSTRALIA

Phone: 02 8063 3711

Email: info.au@lacie.com

For fast technical support, create a support ticket after registering your product at www.lacie.com/au/register.

LEGAL INFO

COPYRIGHTS

Copyright © 2015 LaCie. All rights reserved. No part of this publication may be reproduced, stored in a retrieval system, or transmitted in any form or by any means, electronic, mechanical, photocopying, recording or otherwise, without the prior written consent of LaCie.

CHANGES

The material in this document is for information only and subject to change without notice. While reasonable efforts have been made in the preparation of this document to assure its accuracy, LaCie assumes no liability resulting from errors or omissions in this document, or from the use of the information contained herein. LaCie reserves the right to make changes or revisions in the product design or the product manual without reservation and without obligation to notify any person of such revisions and changes.

FEDERAL COMMUNICATION COMMISSION INTERFERENCE STATEMENT

This equipment has been tested and found to comply with the limits for a Class B digital device, pursuant to Part 15 of the FCC Rules. These limits are designed to provide reasonable protection against harmful interference in a residential installation. This equipment generates, uses and can radiate radio frequency energy and, if not installed and used in accordance with the instructions, may cause harmful interference to radio communications. However, there is no guarantee that interference will not occur in a particular installation. If this equipment does cause harmful interference to radio or television reception, which can be determined by turning the equipment off and on, the user is encouraged to try to correct the interference by one of the following measures:

1. Reorient or relocate the receiving antenna.
2. Increase the separation between the equipment and receiver.
3. Connect the equipment into an outlet on a circuit different from that to which the receiver is connected.
4. Consult the dealer or an experienced radio/TV technician for help.

FCC Caution: Any changes or modifications not expressly approved by the party responsible for compliance could void the user's authority to operate this equipment.

This device complies with Part 15 of the FCC Rules. Operation is subject to the following two conditions: (1) This device may not cause harmful interference, and (2) this device must accept any interference received, including interference that may cause undesired operation.

Important info: FCC Radiation Exposure Statement: This equipment complies with FCC radiation exposure limits set forth for an uncontrolled environment. This equipment should be installed and operated with minimum distance 20 cm between the radiator & your body.

This transmitter must not be co-located or operating in conjunction with any other antenna or transmitter. The availability of some specific channels and/or operational frequency bands are country dependent and are

firmware programmed at the factory to match the intended destination. The firmware setting is not accessible by the end user.

WEEE



This symbol on the product or on its packaging indicates that this product must not be disposed of with your other household waste. Instead, it is your responsibility to dispose of your waste equipment by handing it over to a designed collection point for the recycling of waste electrical and electronic equipment. The separate collection and recycling of your waste equipment at the time of disposal will help to conserve natural resources and ensure that it is recycled in a manner that protects human health and the environment. For more information about where you can drop off your waste equipment for recycling, please contact your local city office, your household waste disposal service, or the shop where you purchased the product.

TRADEMARKS

Apple, Mac, Time Machine, and Macintosh are registered trademarks of Apple Computer, Inc. Microsoft, Windows XP, Windows Vista, and Windows 7 are registered trademarks of Microsoft Corporation. Other trademarks mentioned in this manual are the property of their respective owners.

CANADA COMPLIANCE STATEMENT

This Class B digital apparatus meets all requirements of the Canadian Interference-Causing Equipment Regulations.

CAN ICES-3 (B)/NMB-3(B)

JAPAN COMPLIANCE STATEMENT

This is a Class B product based on the standard of the Voluntary Control Council for Interference from Information Technology Equipment (VCCI). If this is used near a radio/TV receiver, it may cause radio interference. Install the equipment according to the manual. This statement does not apply to the LaCie CloudBox.

MANUFACTURER'S DECLARATION FOR CE CERTIFICATION



We, LaCie, solemnly declare that this product conforms to the following European standards: Electromagnetic Compatibility Directive (2004/108/EC); Low-Voltage Directive: 2006/95/EC